

TYPE MGD 2.5

Capacity:

2.5 m³

Material:

DIN 30738 hot-dip galvanized steel

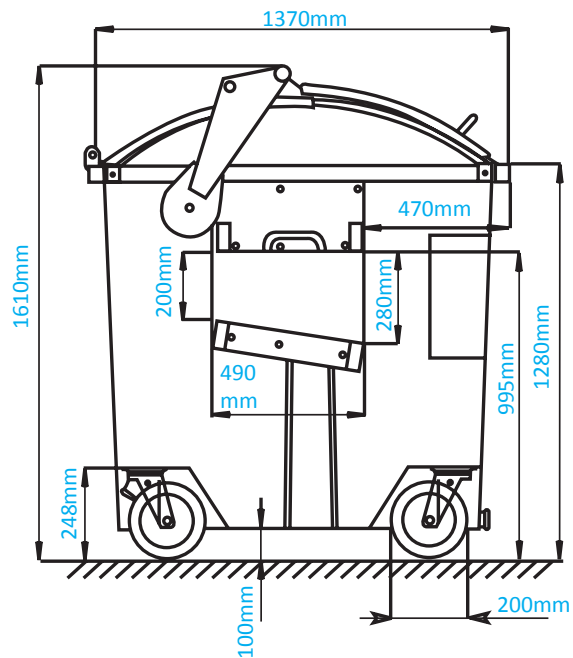
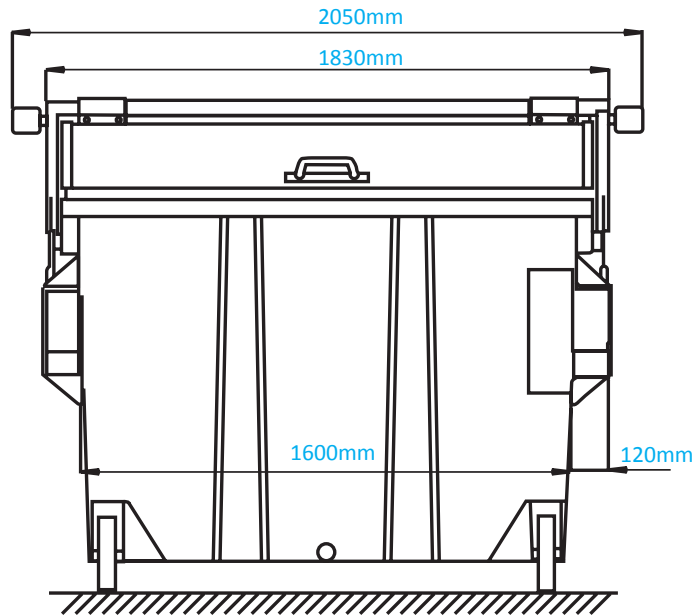
Specifications:

- Hot dip galvanized body
- Formstability through box-profile framework
- Strengthening ribs at body, bottom reinforced with stable wheel cases
- 2x360° swivel wheels with direction fixing device at the front 200 mm diameter
- 2x360° swivel wheels at the back with single wheel stop 200 mm diameter
- Galvanized sliding lid
- Lateral and rear sliding lid

Options:

- Skids instead of wheels
- 2 fixed wheels 200 mm diameter at the front
- Central brake for the rear swivel wheels
- Interlocking device on the rear steering wheel
- Towing gear with heavy-duty-wheels for collective - transportation
- Reflex warning-foil at the corners
- Owner-stamping in the lid
- Slot-opening in the fore lid
- Locking device of the fore lid
- Locking device for the rear lid for controlled collection with rear lifts
- Horizontal sliding grip at the rear
- RAL color painting on zinc coating primer





Interlocking device of the rear swivel wheels:

The operating lever is optional to the waste disposals at the receptacle left or right behind. This lever is welded with a spindle which connects the brake equipment of the two steering wheels.

Essential advantages of this system:

1. Lateral order of the lever-short way of the worker of the vehicle to the activity-lever.
2. Trouble-free activity of the interlocking device under optimal place utilization of the receptacle (House-walls or alike)

