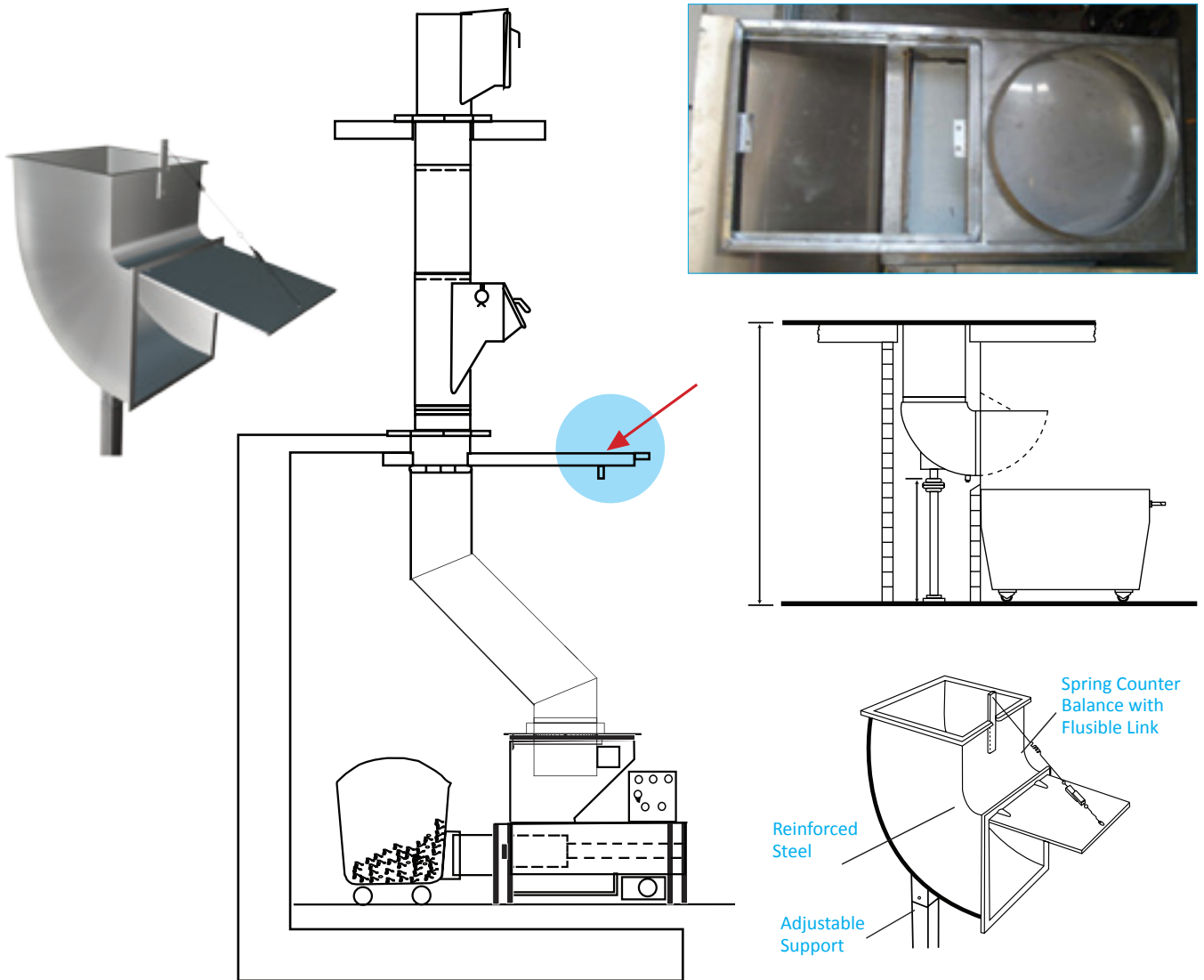


FIRE CUT OFF DOOR

Fire Cut Off Door has a horizontal rolling door held by a spring on each side connected to a fusible link. In case of excessive heat (or fire) the link gets fused at 165° F (68°C) causing the door to roll shut. The discharge is 1.5 hours fire rated.

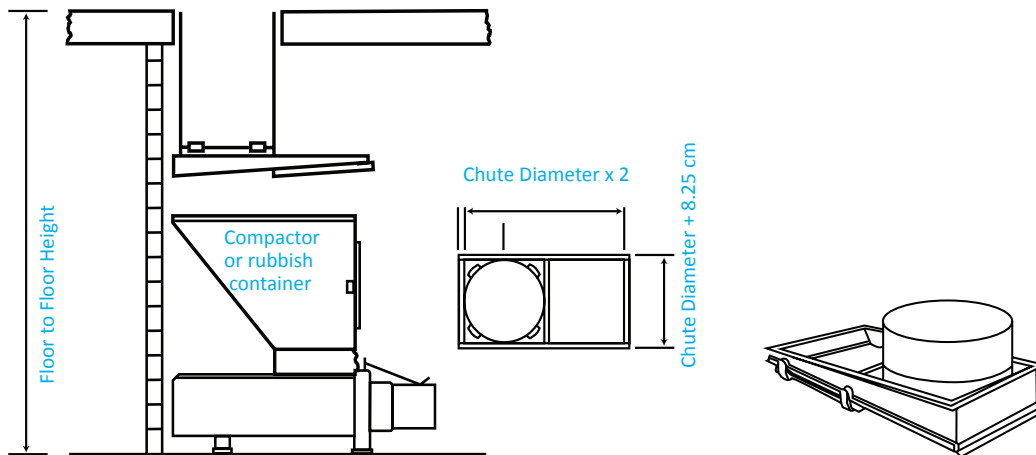


Type 'C' Automatic Fire Shutter Door

This type is widely used in both garbage & linen chutes. It has a horizontal rolling door held by springs on each side connected to a fusible link. In case of excessive heat (or fire) the link gets fused at 165°F (68°C) causing the door to roll shut. The discharge is 1.5 hours fire rated.

The Automatic Fire Shutter Door also has a manual closing facility and can be used in certain location as both a fire shutter-door and a manual cut off door.

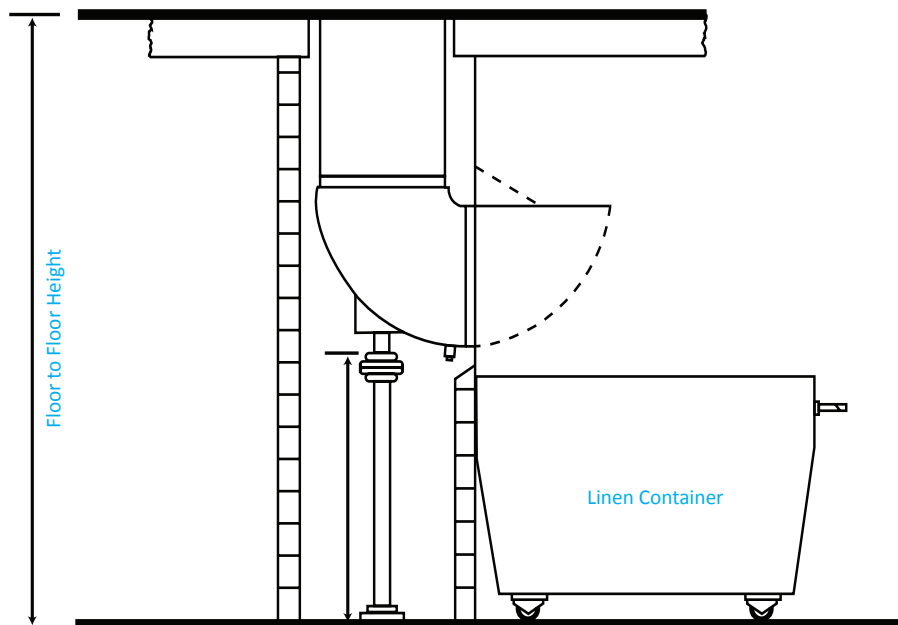
Fire Cut Off Door has a horizontal rolling door held by a spring on each side connected to a fusible link. In case of excessive heat (or fire) the link gets fused at 165° F (68°C) causing the door to roll shut. The discharge is 1.5 hours fire rated.



Type 'D' Top Hung Automatic Fire Door

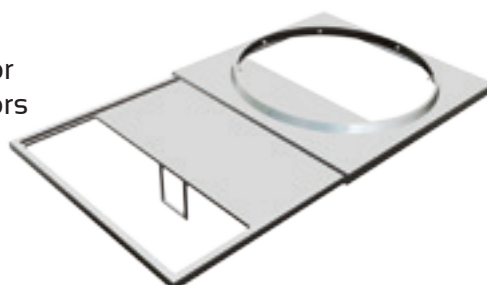
Designed for use where it is not possible to fit a standard automatic fire shutter door. The top hung door gives the same 1.5 hours fire protection, but without the same degree of operator safety (Safety fencing is recommended).

Operation is by the top hinged counter balanced door pulling against a fusible link. In case of fire the door drops shut and is held closed by two retaining catches. Suitable for use with 600mm and 800mm linen chutes.

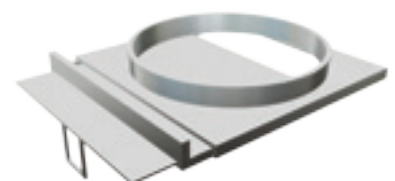


Manual Cut-off Door

Shuts and cuts off chute for cleaning, removal of containers or maintenance of refuse compactors or shredders.



Shut off gate / long form



Shut off gate / short form