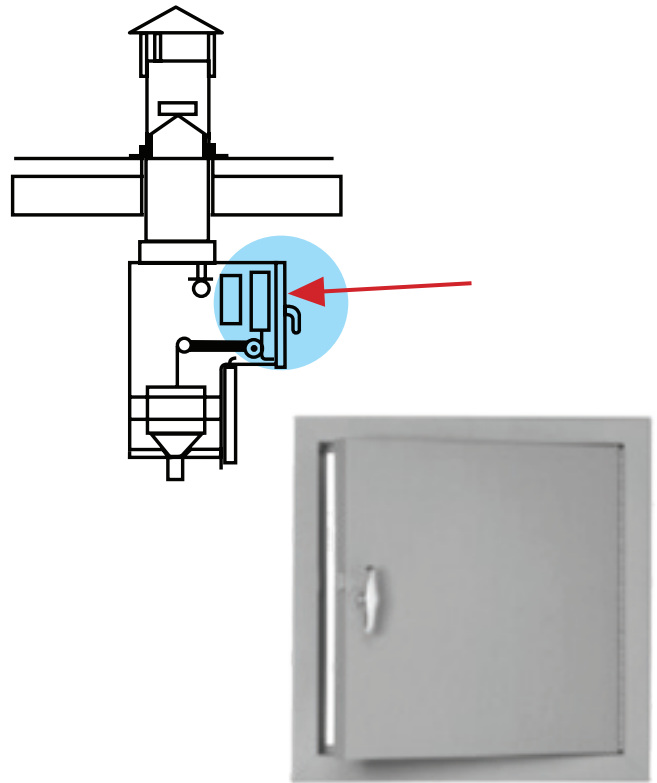


## ACCESS DOOR

Access door is located below the vent tube on the last floor. It is used for accessing the equipment in case of maintenance or revision of the chute. When opening the access door, the equipment located inside consists of the motor unit, solenoid valve, brush, disinfecting and sanitizing unit, designed to give manual or automatic brushing of the internal surface of chute.



Description	Access Door	
Quantity	One Unit per Chute	
Location	Last floor (Mechanical Room)	