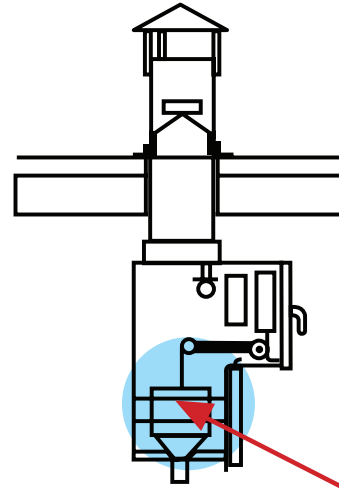


CLEANING SYSTEM & BRUSHING DEVICE

Chute cleaning system specifically designed to clean the total vertical length of the internal surface of all chutes, where by it includes brush unit and motor unit.



Description	Motor Unit
Quantity	One Unit per Chute
Location	Top of Chute

Description	Brushing Unit
Quantity	One Unit per Chute
Location	Attached by cable or wire to motor axel