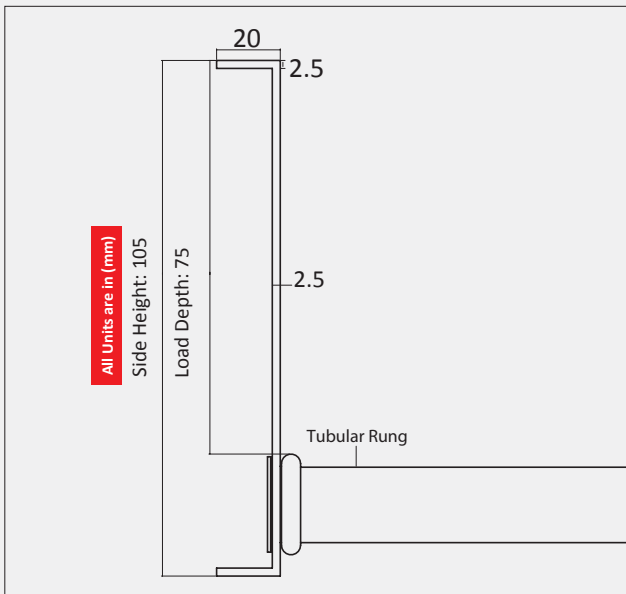
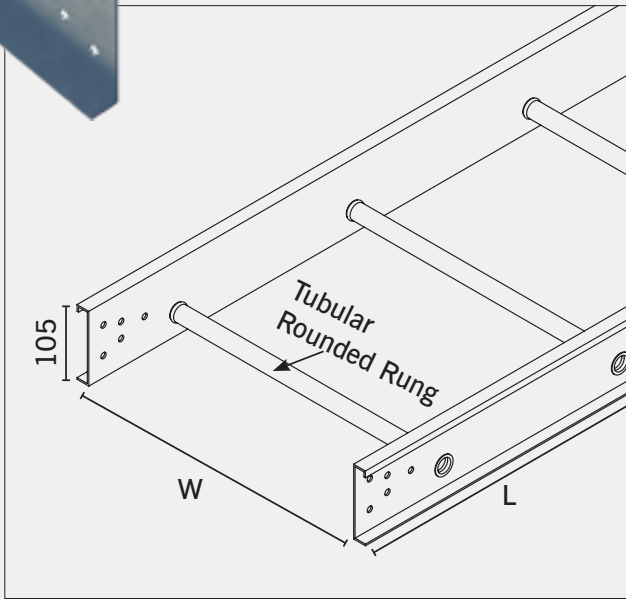
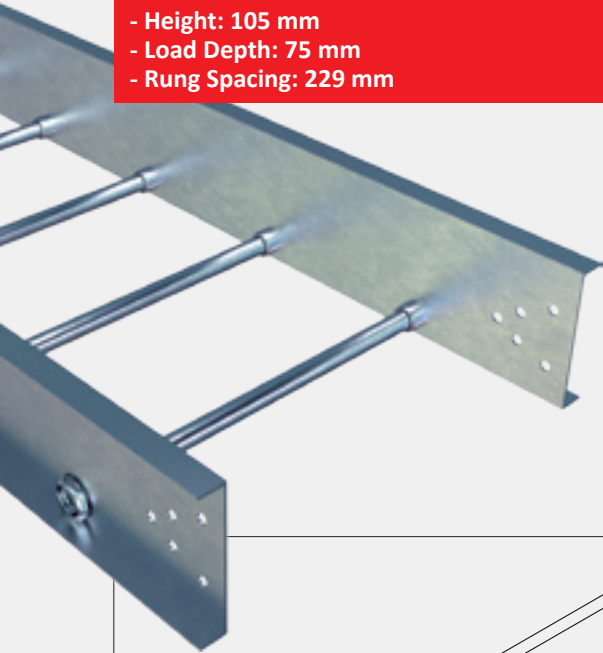


2.50 mm Thickness

(Side Height 105 mm)

- NEMA Class 12A (87 kg/m by 3.70m)
- Side Rail: S4
- Height: 105 mm
- Load Depth: 75 mm
- Rung Spacing: 229 mm



All Units are in (mm)

Side Height: 105

Load Depth: 75

Tubular Rung

NEMA CLASS 12A	Width (mm)	Support Distance (m)	Load (KN/m)	Deflection		Side Rail S1
				Rung (mm)	Rail (mm)	
105 X 20 X 2.5	150	2.40	3.34	0.01	6.33	
		3.0	2.14	0.01	9.99	
		3.70	1.11	0.00	12.31	
	225	4.90	0.44	0.00	16.27	
		2.40	3.33	0.05	6.35	
		3.0	2.13	0.03	10.00	
	300	3.70	1.10	0.02	12.29	
		4.90	0.43	0.01	16.19	
		2.40	3.33	0.11	6.43	
	450	3.0	2.11	0.07	9.98	
		3.70	1.09	0.04	12.29	
		4.90	0.42	0.01	16.12	
	600	2.40	3.32	0.37	6.70	
		3.0	2.06	0.23	9.98	
		3.70	1.07	0.12	12.32	
	750	4.90	0.41	0.05	16.31	
		2.40	3.30	0.88	7.20	
		3.0	1.98	0.53	9.98	
	900	3.70	1.04	0.28	12.32	
		4.90	0.39	0.10	16.21	
		2.40	3.27	1.70	7.99	
	Tubular Rung: 25 X 1.5 mm	3.0	1.87	0.97	10.0	
		3.70	1.0	0.52	12.30	
		4.90	0.37	0.19	16.13	
		2.40	2.81	2.52	7.99	
		3.0	1.72	1.54	9.96	
		3.70	0.95	0.85	12.26	
		4.90	0.35	0.31	16.10	