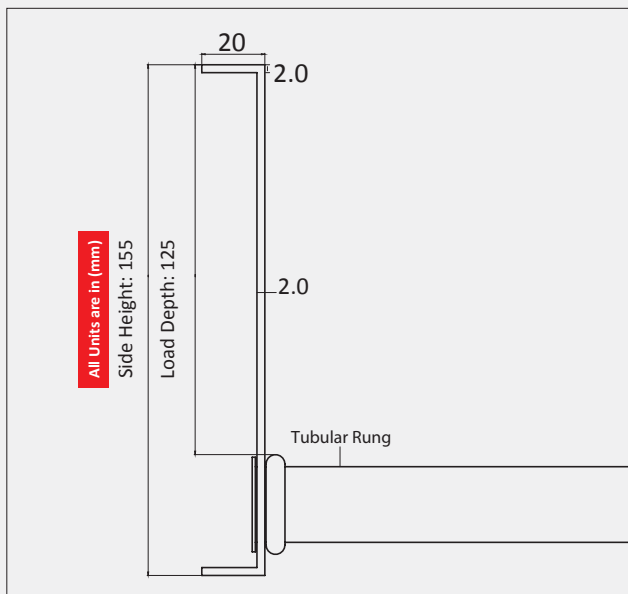
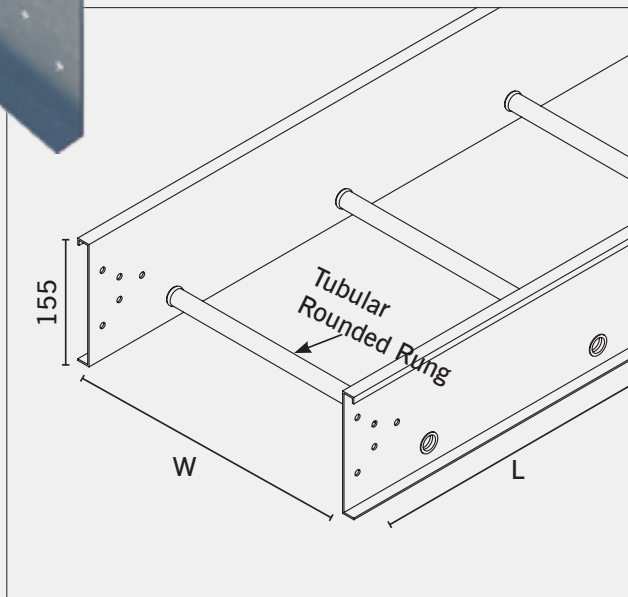
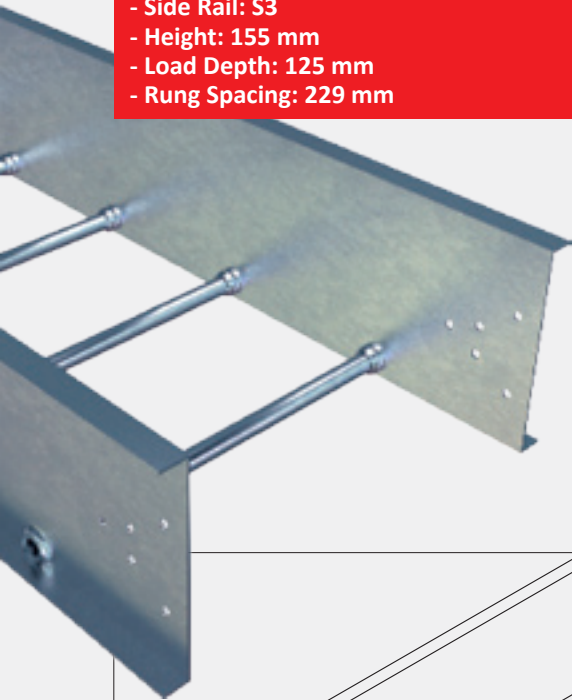


2.00 mm Thickness

(Side Height 155 mm)

- NEMA Class 16A (82 kg/m by 4.90m)
- Side Rail: S3
- Height: 155 mm
- Load Depth: 125 mm
- Rung Spacing: 229 mm



NEMA CLASS 12A	Width (mm)	Support Distance (m)	Load (KN/m)	Deflection		Side Rail S1
				Rung (mm)	Rail (mm)	
155 X 20 X 2.0	150	2.40	4.93	0.02	4.19	Tubular Rung: 25 X 1.5 mm
		3.0	3.21	0.01	6.69	
		3.70	2.12	0.01	10.32	
		4.90	1.06	0.00	16.33	
	225	2.40	4.92	0.07	4.24	
		3.0	3.20	0.04	6.72	
		3.70	2.11	0.03	10.33	
	300	2.40	4.92	0.16	4.34	
		3.0	3.19	0.11	6.77	
		3.70	2.11	0.07	10.40	
	450	2.40	4.90	0.55	4.72	
		3.0	3.18	0.36	7.04	
3.70		2.09	0.23	10.54		
4.90		1.02	0.11	16.30		
600	2.40	4.87	1.29	5.45		
	3.0	3.17	0.84	7.53		
	3.70	2.08	0.55	10.89		
	4.90	0.99	0.26	16.23		
750	2.40	4.10	2.13	5.66		
	3.0	3.15	1.63	8.31		
	3.70	2.07	1.07	11.43		
900	2.40	2.86	2.56	5.07		
	3.0	2.86	2.56	8.68		
	3.70	2.05	1.84	12.17		
	4.90	0.92	0.82	16.21		