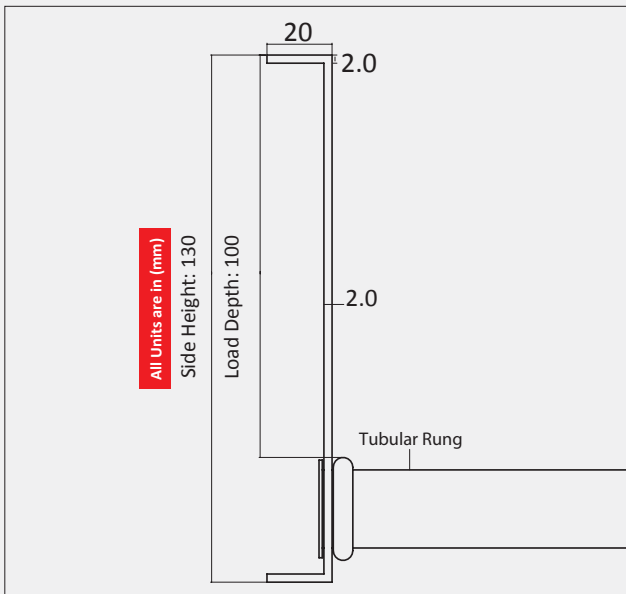
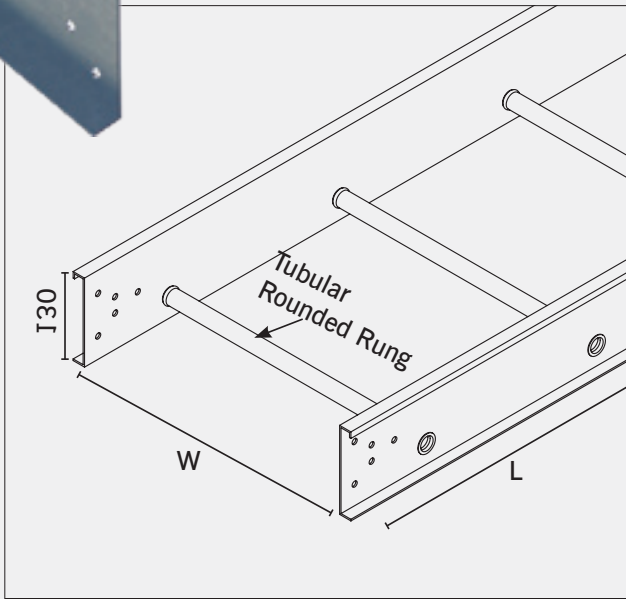


2.00 mm Thickness

(Side Height 130 mm)

- NEMA Class 12B (123 kg/m by 3.70m)
- Side Rail: S2
- Height: 130 mm
- Load Depth: 100 mm
- Rung Spacing: 229 mm



NEMA CLASS 12A	Width (mm)	Support Distance (m)	Load (KN/m)	Deflection		Side Rail S1
				Rung (mm)	Rail (mm)	
130 X 20 X 2.0	150	2.40	3.76	0.02	5.05	Tubular Rung: 25 X 1.5 mm
		3.0	2.43	0.01	8.02	
		3.70	1.59	0.01	12.30	
		4.90	0.64	0.00	16.11	
	225	2.40	3.76	0.05	5.09	
		3.0	2.43	0.03	8.07	
		3.70	1.58	0.02	12.30	
		4.90	0.64	0.01	16.29	
	300	2.40	3.75	0.12	5.16	
		3.0	2.42	0.08	8.11	
		3.70	1.57	0.05	12.31	
		4.90	0.63	0.02	16.25	
	450	2.40	3.74	0.42	5.46	
		3.0	2.41	0.27	8.31	
		3.70	1.54	0.17	12.32	
		4.90	0.61	0.07	16.18	
	600	2.40	3.72	0.99	6.02	
		3.0	2.39	0.63	8.66	
		3.70	1.49	0.40	12.28	
		4.90	0.59	0.16	16.15	
	750	2.40	3.71	1.92	6.97	
		3.0	2.38	1.23	9.28	
		3.70	1.43	0.74	12.29	
		4.90	0.57	0.30	16.18	
	900	2.40	2.86	2.56	6.51	
		3.0	2.32	2.08	9.98	
		3.70	1.35	1.21	12.28	
		4.90	0.55	0.49	16.26	