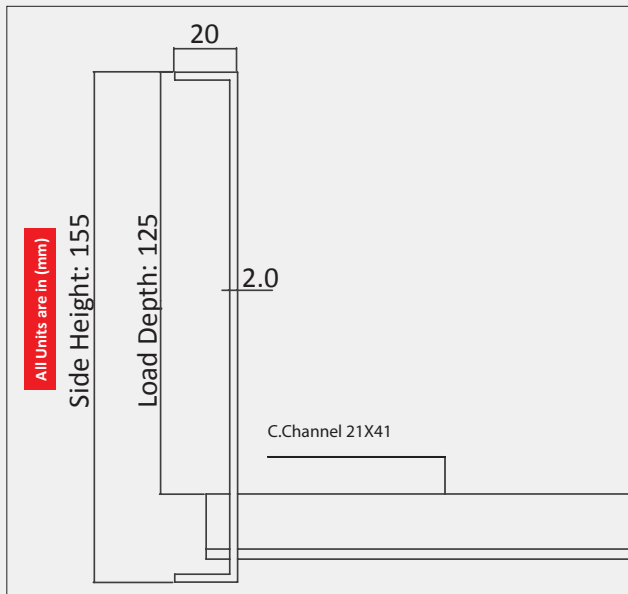
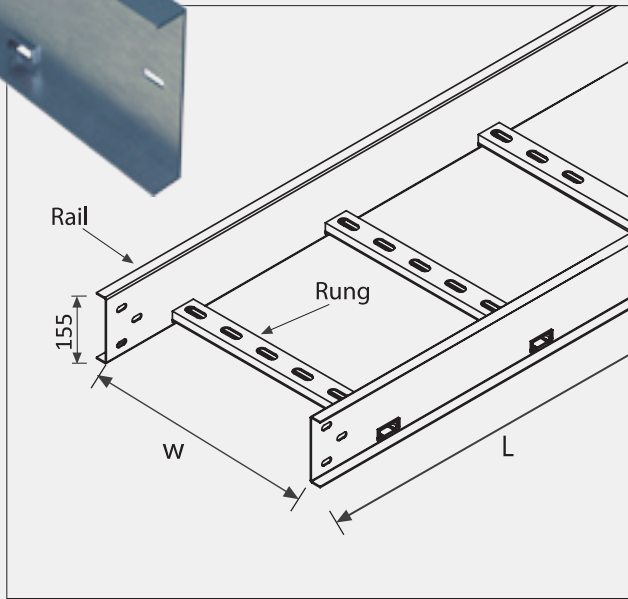


2.00 mm Thickness

(Side Height 155 mm)

- NEMA Class 16A (82 kg/m by 4.90m)
- Side Rail: S3
- Height: 155 mm
- Load Depth: 125 mm
- Rung Spacing: 229 mm



All Units are in (mm)

	Width (mm)	Support Distance (m)	Load (KN/m)	Deflection		Side Rail S1
				Rung (mm)	Rail (mm)	
155 X 20 X 2.0	150	2.40	4.90	0.02	4.20	Rung 41 x 21 x 1.5 mm
		3.0	3.18	0.01	6.70	
		3.70	2.09	0.01	10.34	
		4.90	1.02	0.00	16.24	
	225	2.40	4.90	0.08	4.25	
		3.0	3.18	0.05	6.74	
		3.70	2.09	0.03	10.37	
		4.90	1.02	0.02	16.27	
	300	2.40	4.90	0.18	4.36	
		3.0	3.18	0.12	6.81	
		3.70	2.09	0.08	10.41	
		4.90	1.02	0.04	16.29	
450	2.40	4.90	0.60	4.78		
	3.0	3.18	0.39	7.08		
	3.70	2.09	0.26	10.59		
	4.90	1.00	0.12	16.09		
600	2.40	4.90	1.43	5.61		
	3.0	3.18	0.93	7.62		
	3.70	2.09	0.61	10.94		
	4.90	1.0	0.29	16.26		
750	2.40	4.90	2.14	6.17	Rung 41 x 41 x 1.5 mm	
	3.0	3.18	1.81	8.50		
	3.70	2.09	1.19	18.53		
	4.90	0.98	0.56	16.23		
900	2.40	4.90	0.87	5.05	Rung 41 x 41 x 1.5 mm	
	3.0	3.18	2.45	9.18	Rung 41 x 212.0 mm	
	3.70	2.09	1.64	11.97		
	4.90	0.97	0.76	16.29		