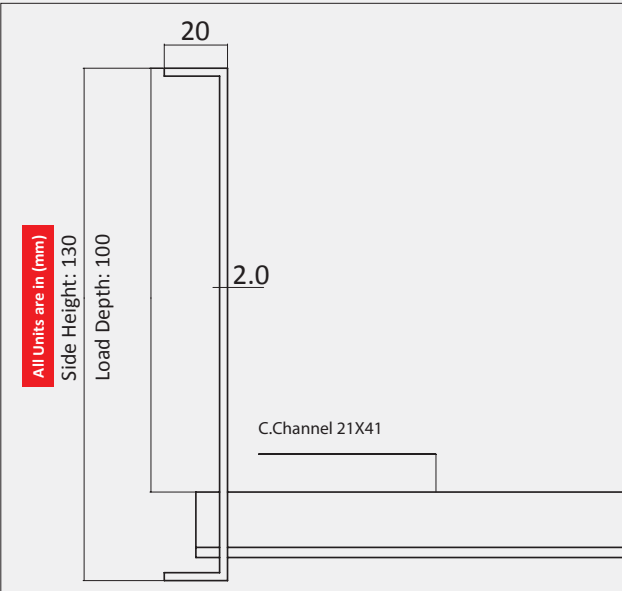
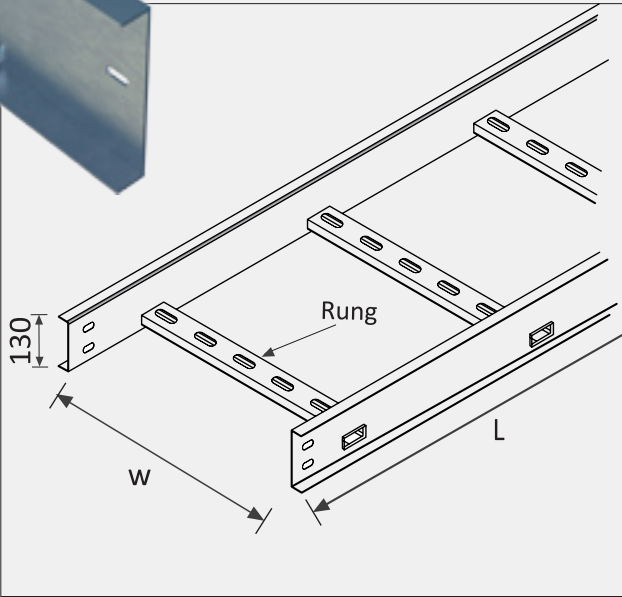


2.00 mm Thickness

(Side Height 130 mm)

- NEMA Class 12B (123 kg/m by 3.70m)
- Side Rail: S2
- Height: 130 mm
- Load Depth: 100 mm
- Rung Spacing: 229 mm



All Units are in (mm)

Side Height: 130

Load Depth: 100

2.0

C.Channel 21X41

NEMA CLASS 12A	Width (mm)	Support Distance (m)	Load (KN/m)	Deflection		Side Rail S1
				Rung (mm)	Rail (mm)	
130 X 20 X 2.0	150	2.40	3.73	0.02	5.05	
		3.0	2.40	0.01	8.01	
		3.70	1.55	0.01	12.27	
	225	4.90	0.60	0.00	16.00	
		2.40	3.73	0.06	5.09	
		3.0	2.40	0.04	8.06	
	300	3.70	1.55	0.02	12.28	
		4.90	0.60	0.01	16.01	
		2.40	3.73	0.14	5.17	
	450	3.0	2.40	0.09	8.11	
		3.70	1.55	0.06	12.31	
		4.90	0.60	0.02	16.02	
	600	2.40	3.73	0.46	5.50	
		3.0	2.40	0.30	8.32	
		3.70	1.53	0.19	12.30	
	750	4.90	0.60	0.07	16.07	
		2.40	3.73	1.09	6.13	
		3.0	2.40	0.70	8.73	
	900	3.70	1.50	0.44	12.32	
		4.90	0.60	0.18	16.17	
		2.40	3.73	2.13	7.17	
	Rung 41 x 21 x 1.5 mm	3.0	2.40	1.37	9.40	
		3.70	1.44	0.82	12.26	
		4.90	0.59	0.34	13.10	
	2.40	3.27	2.56	7.0		
	3.0	2.30	2.27	9.97		
	3.70	1.36	1.34	12.19		
	4.90	0.58	0.57	16.11		