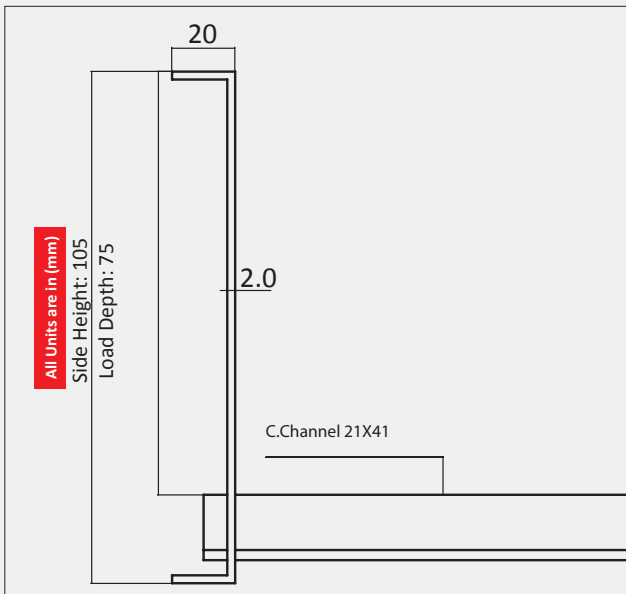
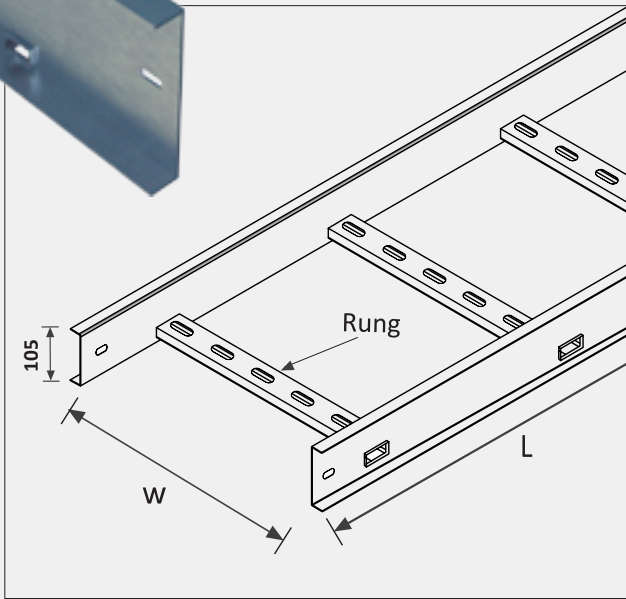


**2.00 mm Thickness**

**(Side Height 105 mm)**

- NEMA Class 12A (74 kg/m by 3.70m)
- Side Rail: S1
- Height: 105 mm
- Load Depth: 75 mm
- Rung - Spacing: 229 mm



NEMA CLASS 12A	Width (mm)	Support Distance (m)	Load (KN/m)	Deflection		Side Rail S1
				Rung (mm)	Rail (mm)	
105 X 20 X 2.0	150	2.40	2.69	0.01	6.33	Rung 41 x 21 x 1.5 mm
		3.0	1.70	0.01	9.96	
		3.70	0.86	0.00	12.28	
		4.90	0.31	0.00	16.13	
	225	2.40	2.69	0.04	6.36	
		3.0	1.70	0.03	9.98	
		3.70	0.86	0.01	12.29	
		4.90	0.31	0.00	16.14	
	300	2.40	2.69	0.10	6.42	
		3.0	1.69	0.06	9.96	
		3.70	0.86	0.03	12.31	
		4.90	0.31	0.01	14.14	
450	2.40	2.69	0.33	6.65		
	3.0	1.67	0.21	9.99		
	3.70	0.85	0.1	12.26		
	4.90	0.31	0.04	26.17		
600	2.40	2.69	0.75	3.10		
	3.0	1.62	0.47	3.98		
	3.70	0.84	0.25	12.27		
	4.90	0.31	0.09	16.22		
750	2.40	2.69	1.53	7.85		
	3.0	1.54	0.88	9.95		
	3.70	0.82	0.47	10.24		
	4.90	0.31	0.18	10.31		
900	2.40	2.39	2.36	7.99		
	3.0	1.45	1.43	10.00		
	3.70	0.80	0.79	12.30		
	4.90	0.30	0.30	16.03		