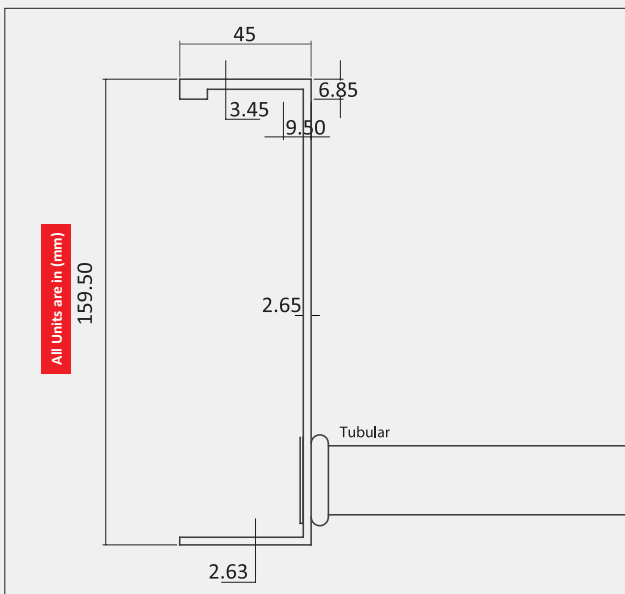
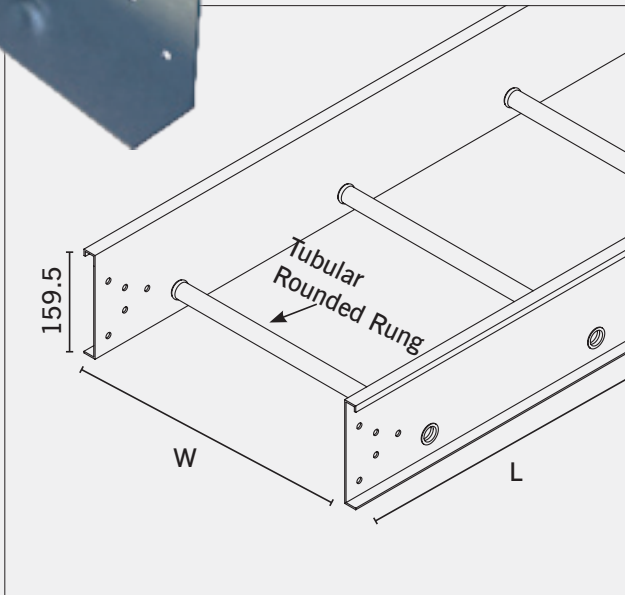
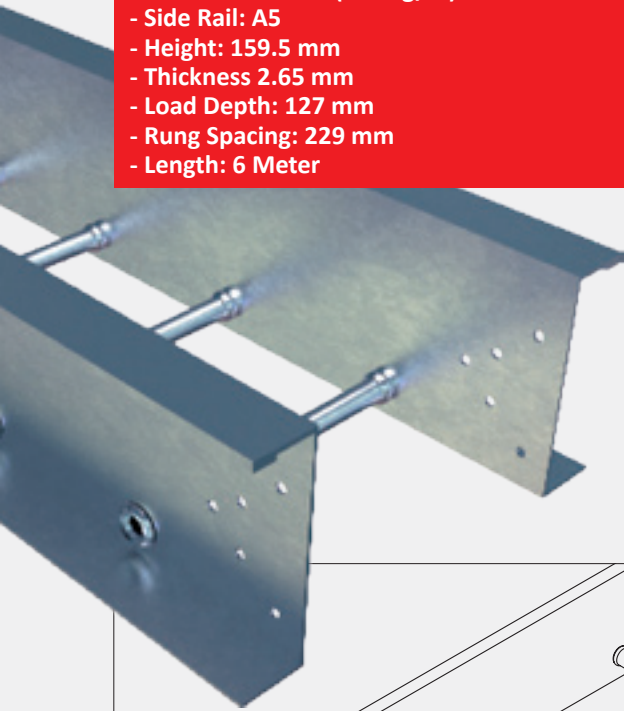


# ALT - A5 (SWAGED ROUNDED TUBULAR)

## 2.65 mm Thickness

(Side Height 159.5 mm)

- NEMA Class 20 C (149 kg/m)
- Side Rail: A5
- Height: 159.5 mm
- Thickness 2.65 mm
- Load Depth: 127 mm
- Rung Spacing: 229 mm
- Length: 6 Meter



All Units are in (mm)

NEMA CLASS A	Width (mm)	Support Distance (m)	Load (KN/m)	Deflection	
				Rung (mm)	Rail (mm)
159.5 x 45 x 2.65	150	2.40	6.10	0.04	8.26
		3.00	3.25	0.02	9.96
		3.70	1.70	0.01	12.25
	225	2.40	6.10	0.14	7.72
		3.00	3.20	0.08	9.89
		3.70	1.69	0.00	12.26
	300	2.40	6.10	0.34	7.93
		3.00	3.15	0.18	9.86
		3.70	1.68	0.09	12.30
	450	2.40	5.55	1.05	7.99
		3.00	3.00	0.57	9.84
		3.70	1.60	0.30	12.06
600	2.40	3.80	1.70	6.50	
	3.00	2.80	1.25	9.98	
	3.70	1.55	0.69	12.21	
750	2.40	2.45	2.14	5.30	
	3.00	2.45	2.14	9.86	
	3.70	1.49	1.30	12.50	
900	2.40	1.70	2.57	4.83	
	3.00	1.70	2.57	8.08	
	3.70	1.49	2.25	13.56	