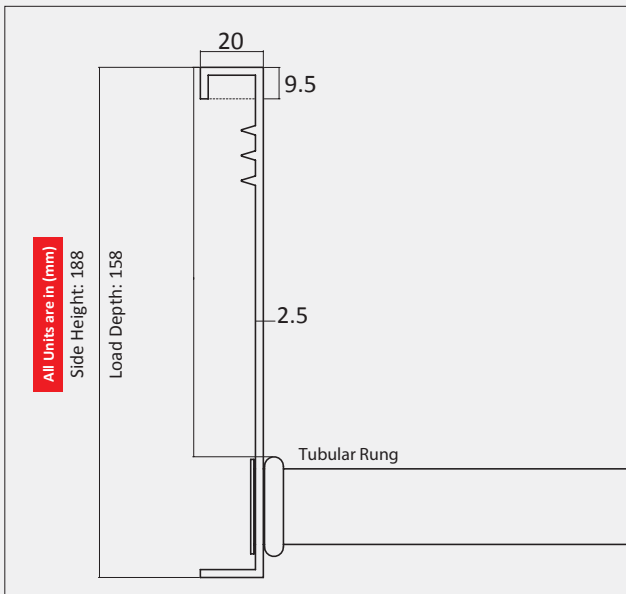
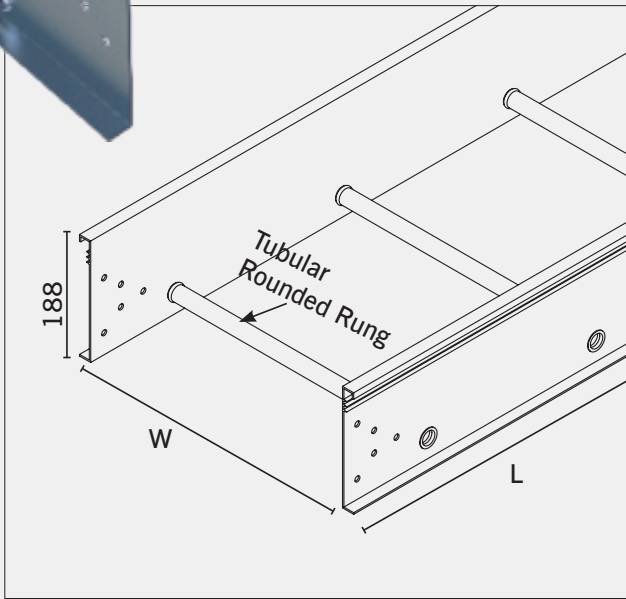
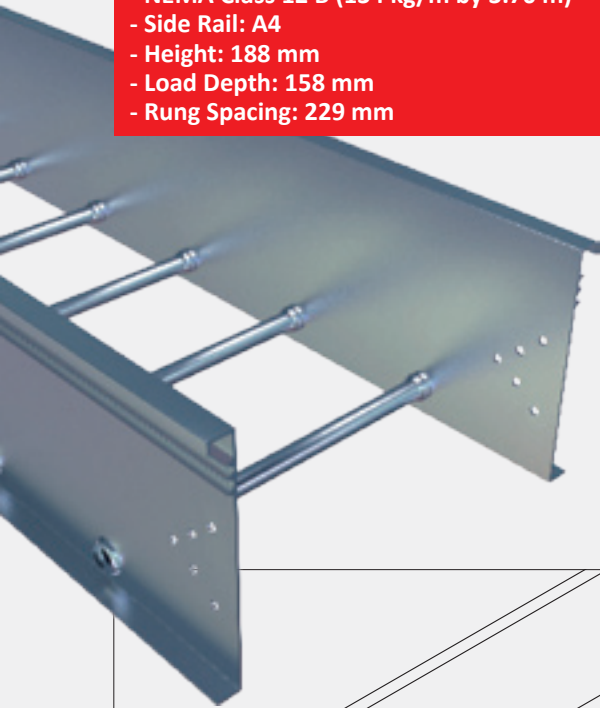


ALT - A4 (SWAGED ROUNDED TUBULAR)

2.50 mm Thickness

(Side Height 188 mm)

- NEMA Class 12 B (134 kg/m by 3.70 m)
- Side Rail: A4
- Height: 188 mm
- Load Depth: 158 mm
- Rung Spacing: 229 mm



NEMA CLASS A	Width (mm)	Support Distance (m)	Load (KN/m)	Deflection		Side Rail A1
				Rung (mm)	Rail (mm)	
188 X 20 X 2.5	150	2.40	4.55	0.06	5.41	Tubular Rung: 25x1.5 mm
		3.0	3.45	0.04	10.0	
		3.70	1.81	0.02	12.31	
		4.90	0.74	0.01	16.23	
	225	2.40	4.55	0.19	5.55	
		3.0	3.40	0.14	9.98	
		3.70	1.79	0.08	12.28	
		4.90	0.73	0.03	16.20	
	300	2.40	4.55	0.45	5.82	
		3.0	3.33	0.33	9.99	
		3.70	1.77	0.18	12.30	
		4.90	0.72	0.07	16.19	
	450	2.40	4.55	1.23	6.61	Tubular Rung: 25x2.0 mm
		3.0	3.13	0.84	9.98	
		3.70	1.71	0.46	12.29	
		4.90	0.70	0.19	16.21	
	600	2.40	3.82	1.71	6.27	Tubular Rung: 30x1.5 mm
		3.0	2.95	1.32	9.99	
		3.70	1.65	0.74	12.27	
		4.90	0.68	0.30	16.23	
	750	2.40	3.09	2.14	5.87	Tubular Rung: 30x2.0 mm
		3.0	2.73	1.89	9.98	
		3.70	1.58	1.09	12.27	
		4.90	0.66	0.46	16.28	
900	2.40	2.14	2.56	5.21		
	3.0	2.14	2.56	9.02		
	3.70	1.47	1.76	12.32		
	4.90	0.63	0.75	16.27		