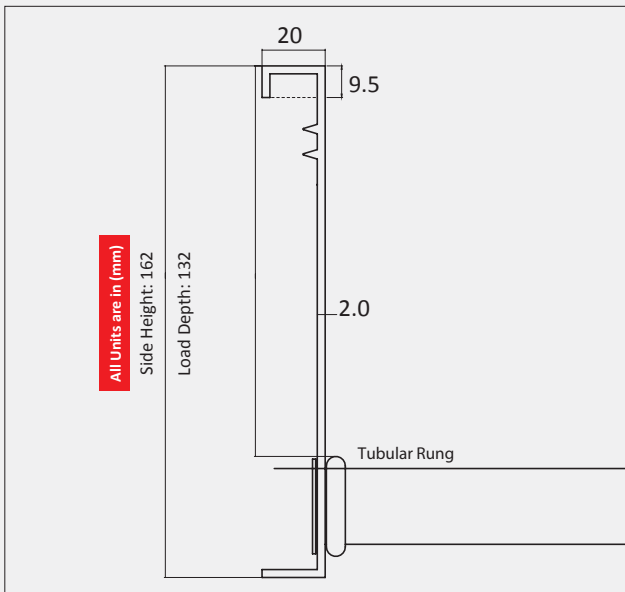
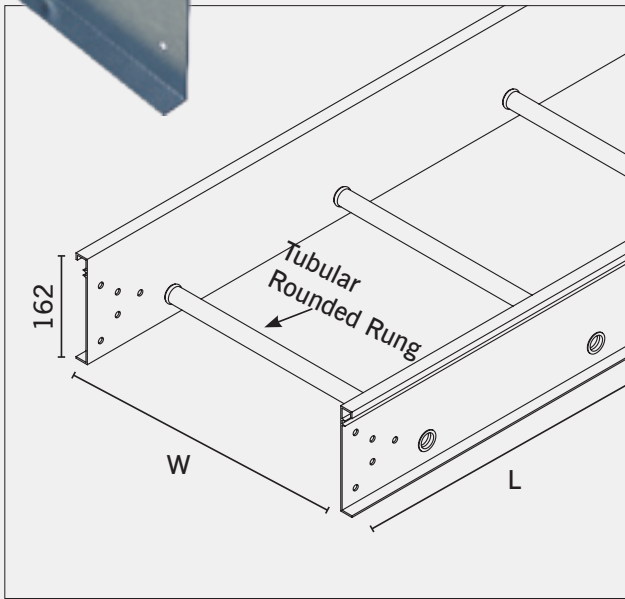
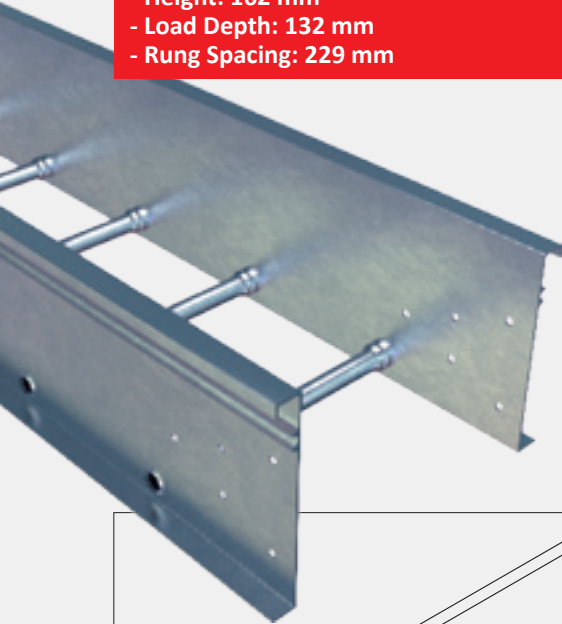


ALT - A3 (SWAGED ROUNDED TUBULAR)

2.00 mm Thickness

(Side Height 162 mm)

- NEMA Class 12 A (74 kg/m by 3.70 m)
- Side Rail: A3
- Height: 162 mm
- Load Depth: 132 mm
- Rung Spacing: 229 mm



| NEMA CLASS A | Width (mm) | Support Distance (m) | Load (KN/m) | Deflection | | Side Rail A1 |
|----------------|------------|----------------------|-------------|------------|-------------------------|-------------------------|
| | | | | Rung (mm) | Rail (mm) | |
| 162 X 20 X 2.0 | 150 | 2.40 | 3.67 | 0.06 | 7.92 | Tubular Rung: 25x1.5 mm |
| | | 3.0 | 1.87 | 0.03 | 9.97 | |
| | | 3.70 | 0.97 | 0.02 | 12.31 | |
| | | 4.90 | 0.38 | 0.01 | 16.27 | |
| | 225 | 2.40 | 3.63 | 0.20 | 7.99 | Tubular Rung: 25x1.5 mm |
| | | 3.0 | 1.85 | 0.10 | 9.97 | |
| | | 3.70 | 0.96 | 0.05 | 12.32 | |
| | | 4.90 | 0.37 | 0.02 | 16.19 | |
| | 300 | 2.40 | 3.50 | 0.46 | 7.99 | Tubular Rung: 25x1.5 mm |
| | | 3.0 | 1.80 | 0.24 | 9.99 | |
| | | 3.70 | 0.94 | 0.12 | 12.24 | |
| | | 4.90 | 0.36 | 0.05 | 16.13 | |
| | 450 | 2.40 | 3.17 | 1.12 | 7.99 | Tubular Rung: 25x1.5 mm |
| | | 3.0 | 1.73 | 0.61 | 9.98 | |
| | | 3.70 | 0.91 | 0.3 | 12.26 | |
| | | 4.90 | 0.34 | 0.15 | 16.05 | |
| | 600 | 2.40 | 2.88 | 1.69 | 7.98 | Tubular Rung: 25x2.0 mm |
| | | 3.0 | 1.64 | 0.96 | 9.95 | |
| | | 3.70 | 0.88 | 0.52 | 12.28 | |
| | | 4.90 | 0.33 | 0.19 | 16.27 | |
| | 750 | 2.40 | 2.45 | 2.14 | 7.07 | Tubular Rung: 30x1.5 mm |
| | | 3.0 | 1.55 | 1.36 | 9.96 | |
| | | 3.70 | 0.85 | 0.74 | 12.33 | |
| | | 4.90 | 0.31 | 0.36 | 16.25 | |
| 900 | 2.40 | 1.70 | 2.57 | 6.44 | Tubular Rung: 30x1.5 mm | |
| | 3.0 | 1.39 | 2.10 | 9.96 | | |
| | 3.70 | 0.79 | 1.19 | 12.24 | | |
| | 4.90 | 0.29 | 0.44 | 16.15 | | |