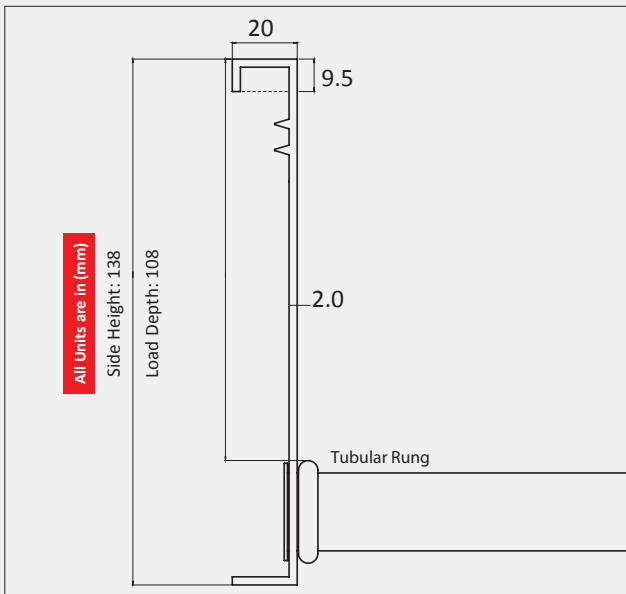
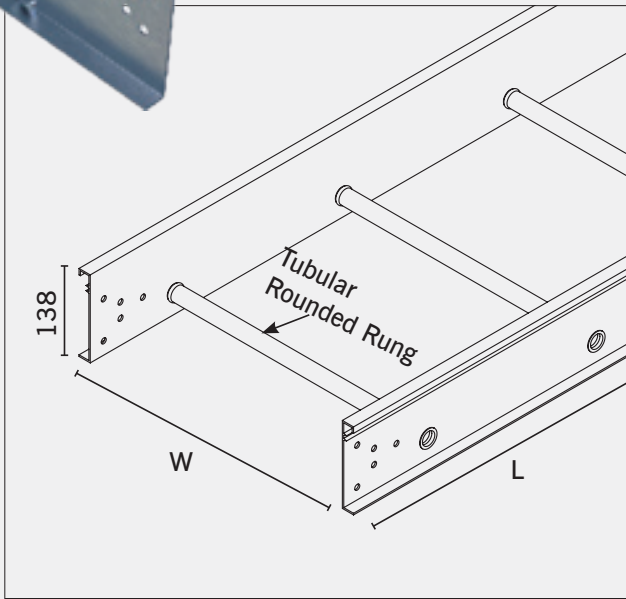
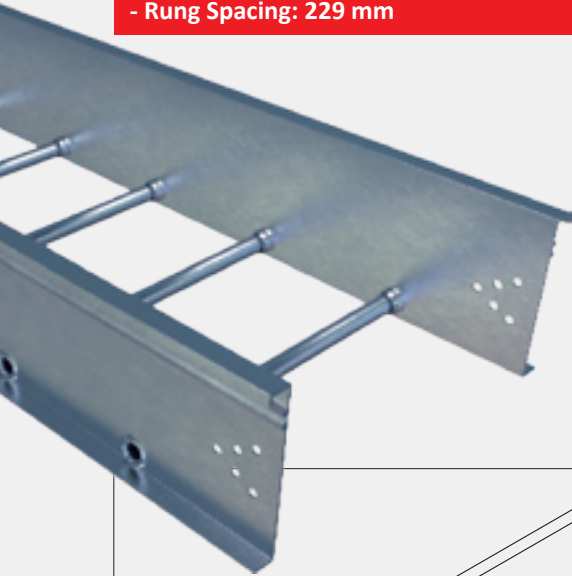


# ALT - A2 (SWAGED ROUNDED TUBULAR)

**2.00 mm Thickness**

**(Side Height 138 mm)**

- NEMA Class C (97.0 kg/m by 3.0 m)
- Side Rail: A2
- Height: 138 mm
- Load Depth: 108 mm
- Rung Spacing: 229 mm



NEMA CLASS A	Width (mm)	Support Distance (m)	Load (KN/m)	Deflection		Side Rail A1		
				Rung (mm)	Rail (mm)			
138 X 20 X 2.0	150	2.40	2.35	0.04	7.98	Tubular Rung: 25x1.5 mm		
		3.0	1.17	0.02	9.94			
		3.70	0.59	0.01	12.18			
		4.90	0.22	0.00	16.29			
	225	2.40	2.32	0.13	8.00		Tubular Rung: 25x2.0 mm	
		3.0	1.16	0.06	9.96			
		3.70	0.58	0.03	12.16			
		4.90	0.21	0.01	16.16			
	300	2.40	2.25	0.29	7.96			Tubular Rung: 30x1.5 mm
		3.0	1.1	0.15	9.95			
		3.70	0.57	0.07	12.15			
		4.90	0.20	0.03	16.03			
	450	2.40	2.06	0.91	8.0	Tubular Rung: 25x1.5 mm		
		3.0	1.09	0.48	10.-			
		3.70	0.55	0.24	12.23			
		4.90	0.18	0.08	15.80			
	600	2.40	1.85	1.55	8.00		Tubular Rung: 25x2.0 mm	
		3.0	1.02	0.85	9.93			
		3.70	0.52	0.44	12.14			
		4.90	0.17	0.18	16.18			
	750	2.40	1.70	1.95	7.95			Tubular Rung: 30x1.5 mm
		3.0	0.98	1.12	10			
		3.70	0.50	0.57	12.19			
		4.90	0.15	0.17	15.89			
900	2.40	1.29	2.55	7.26	Tubular Rung: 30x1.5 mm			
	3.0	0.88	1.74	9.93				
	3.70	0.47	0.93	12.27				
	4.90	0.14	0.28	16.28				