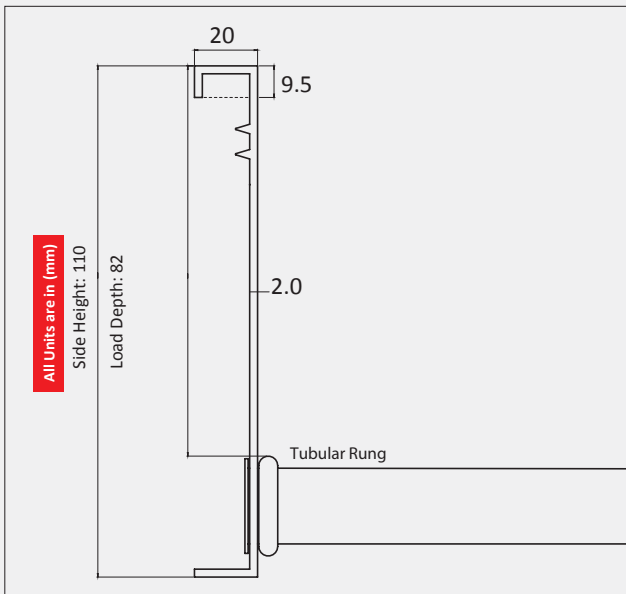
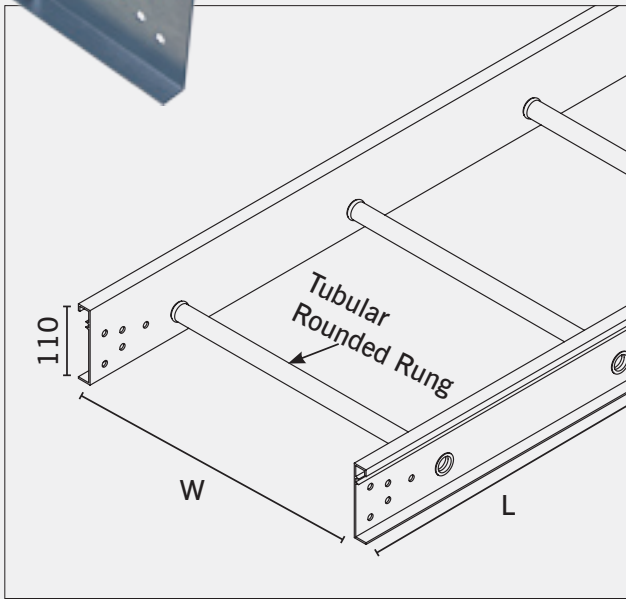
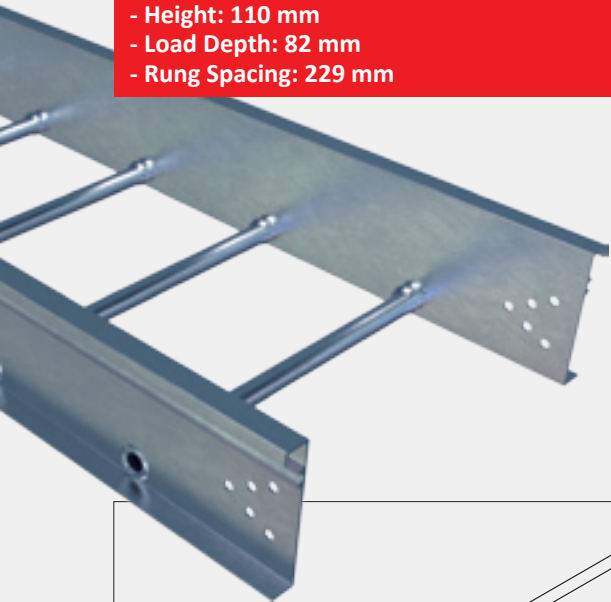


ALT - A1 (SWAGED ROUNDED TUBULAR)

2.00 mm Thickness

(Side Height 110 mm)

- NEMA Class A (52 kg/m by 3,0m) and 8A (95 kg/m by 2,40m)
- Side Rail: A1
- Height: 110 mm
- Load Depth: 82 mm
- Rung Spacing: 229 mm



NEMA CLASS A	Width (mm)	Support Dis- tance (m)	Load (KN/m)	Deflection		Side Rail A1
				Rung (mm)	Rail (mm)	
110 X 20 X 2.0	150	2.40	1.35	0.02	7.96	Rung 25x1.5 mm
		3.0	0.66	0.01	9.95	
		3.70	0.32	0.00	12.22	
		4.90	0.10	0.00	16.10	
	225	2.40	1.34	0.06	7.99	
		3.0	0.65	0.03	9.93	
		3.70	0.31	0.01	12.15	
		4.90	0.09	0.00	15.86	
	300	2.40	1.32	0.13	7.99	
		3.0	0.64	0.06	9.93	
		3.70	0.30	0.03	12.08	
		4.90	0.08	0.01	15.62	
450	2.40	1.25	0.42	7.97		
	3.0	0.61	0.21	9.87		
	3.70	0.29	0.10	12.31		
	4.90	0.07	0.02	16.12		
600	2.40	1.15	0.92	7.99		
	3.0	0.58	0.46	9.92		
	3.70	0.27	0.22	12.27		
	4.90	0.05	0.04	15.65		
750	2.40	1.01	1.57	7.94		
	3.0	0.54	0.84	9.96		
	3.70	0.25	0.39	12.28		
	4.90	0.04	0.06	16.16		
900	2.40	0.86	2.31	7.93		
	3.0	0.49	1.32	9.95		
	3.70	0.22	0.59	12.01		
	4.90	0.02	0.05	15.66		