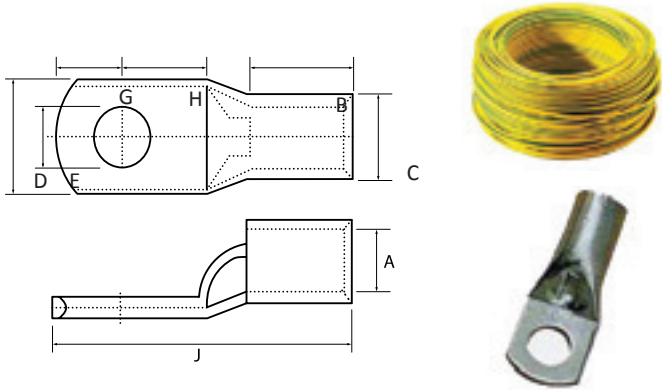
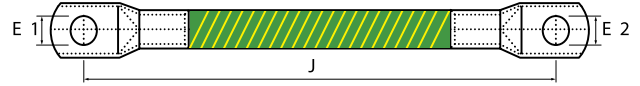


**Crimping Type Copper
Tubular Cable Terminal Ends / 1200**



Bonding Jumper / 1300



Cable mm ²	Stud Hole	Dimensions (mm)						
		A	C	D	G	H	B	J
1.5	6.5	1.8	3.7	10	4	6	6	18
	8.4	2.4	4.2	12	5	6	8	21
2.5	6.5	2.4	4	10	5	6	8	21
	8.4	2.4	4.2	12	6	9	8	26
4	6.5	3.1	4.8	10	5	6	8	21
	8.4	3.1	5.0	12	6	9	8	26
6	6.5	3.8	5.5	10	5	6	10	24
	8.4	3.8	5.5	12	6	9	10	28
10	6.5	4.5	6.2	11	6	7	10	26
	8.4	4.5	6.2	12	6	9	10	28
16	6.5	5.4	7.1	12	7	7	12	30
	8.4	5.4	7.1	12	7	7	12	30
20	8.4	6	7.7	12	7	7	12	32
25	6.5	6.8	8.8	13	7	7	12	30
	8.4	6.8	8.8	13	7	7	12	30

Size mm ²	Dimensions (mm)			Current Rating AMP
	J	E1	E2	
4	50	6	6	50
	100	6	6	50
	150	6	6	50
	200	6	6	50
10	50	6	6	90
	100	6	6	90
	150	6	6	90
	200	6	6	90
16	100	8.5	8.5	125
	150	8.5	8.5	125
	200	8.5	8.5	125
	250	8.5	8.5	125
	300	8.5	8.5	125
25	100	10	10	160
	150	10	10	160
	200	10	10	160
	250	10	10	160
	300	10	10	160