

COVERS

Functions

Ladder Cable Tray covers shall be considered for any of the following purposes:

- Protection from falling objects or debris, as may occur beneath personnel walkways.
- Shielding from ultraviolet rays of the sun and guarding against other weathering elements.
- Minimizing accumulation of foreign contaminants such as ash or other industrial deposits.
- Protection of cables and personnel where a riser tray penetrates a floor or grating.

Solid Cover 2000

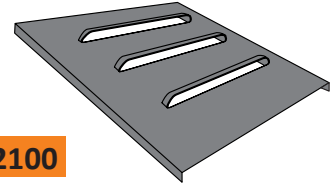


2000

Covers Side Height Types :

- Solid without flange - (SOF)
- Solid with flange - (SWF)
- Ventilated without flange - (VOF)
- Ventilated with flange - (VWF)

Ventilated Cover 2010



2100

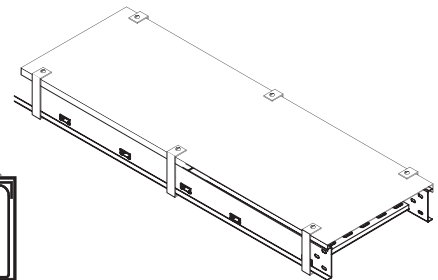
- Cable covers are supplied with or without a 15 mm down turned flange.
- Straight section covers are furnished 3000 mm long. All fitting covers are furnished in solid design only.

SFSP

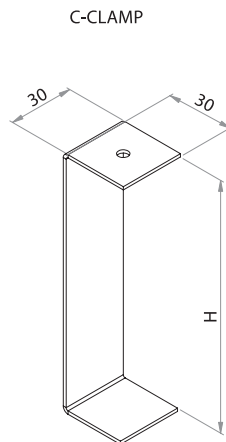
Ladder Cable Tray Covers with Locking Clamp 2100



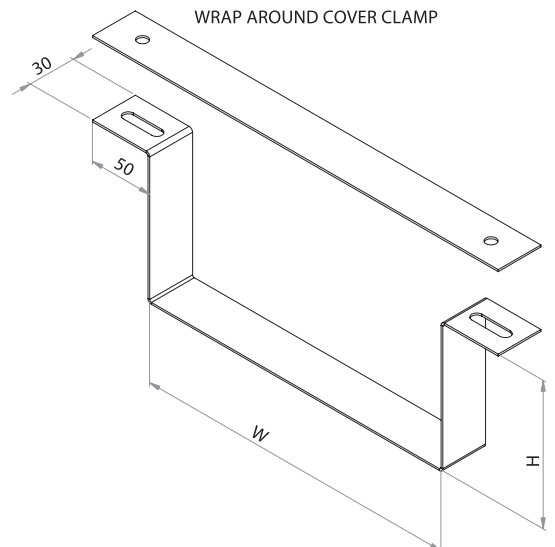
2100



C-CLAMP



WRAP AROUND COVER CLAMP



Covers' Side Height Types :

- Solid without flange - (VOF)
- Solid with flange - (VWF)