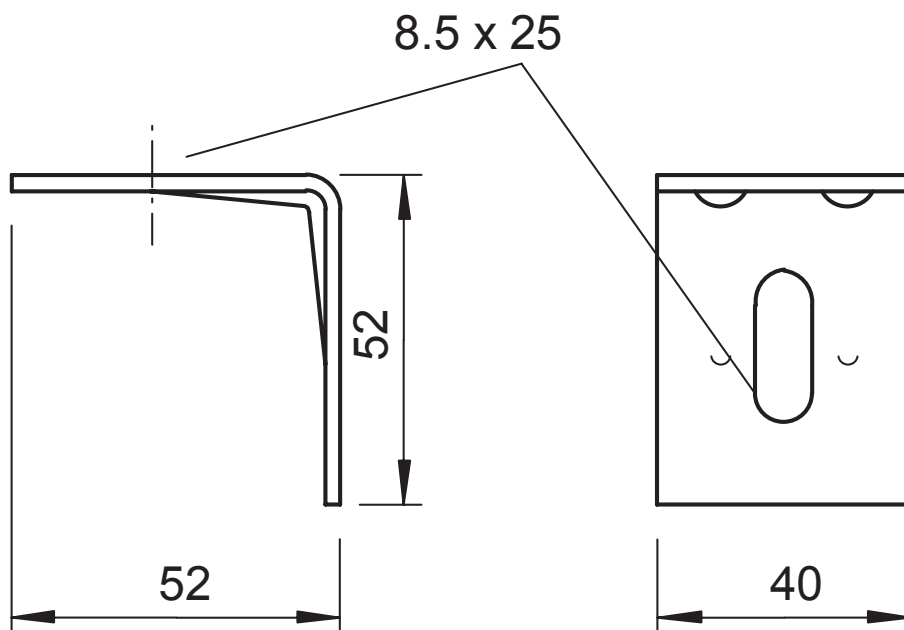
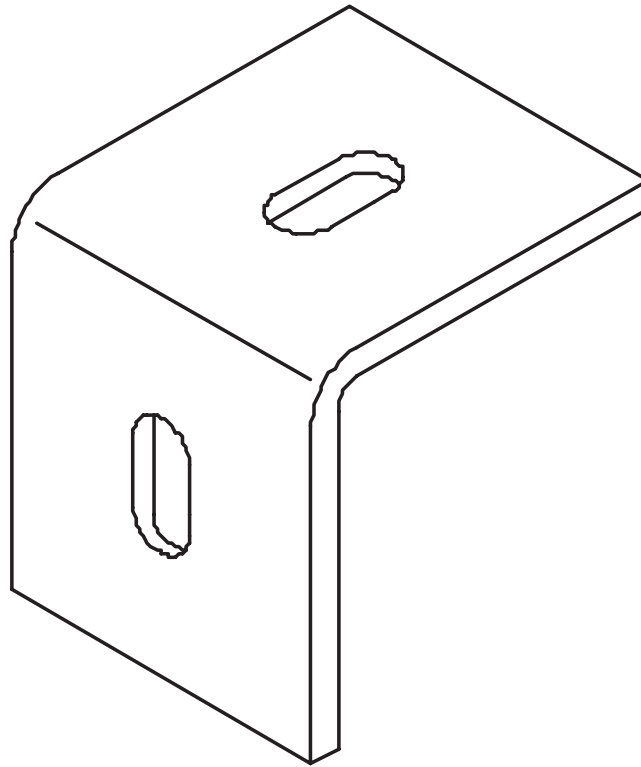


SYSTEM OVERVIEW

Clamps

CEILING ANGLE | M126



Materials: : Steel strip galvanized to DIN EN 10147
Hot-dip galvanized Steel to DIN EN ISO 1461