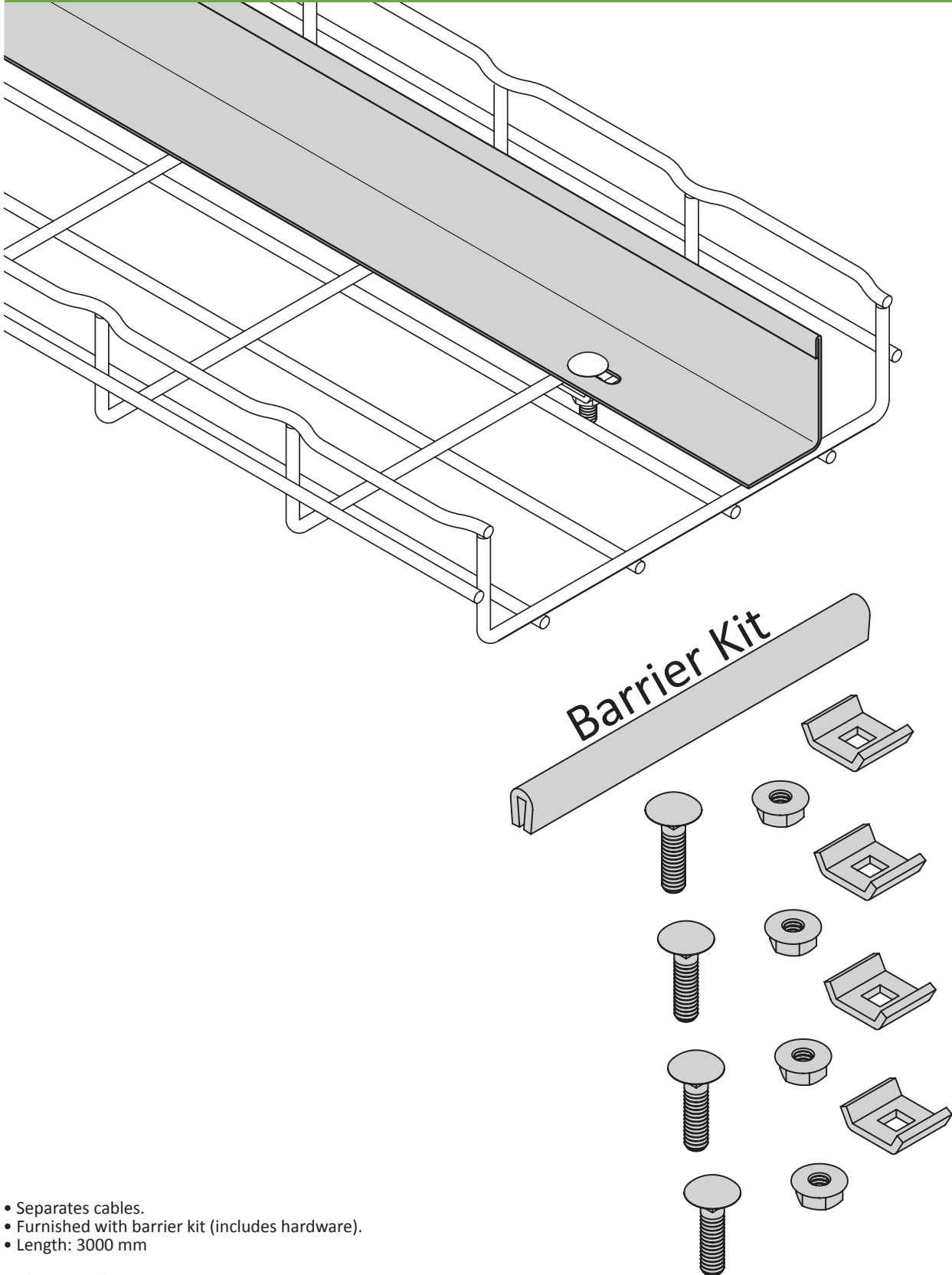


SYSTEM OVERVIEW

Clamps

BARRIER | M125



- Separates cables.
- Furnished with barrier kit (includes hardware).
- Length: 3000 mm

Order Example:

Item No - Length (l) - Width (w) - Material