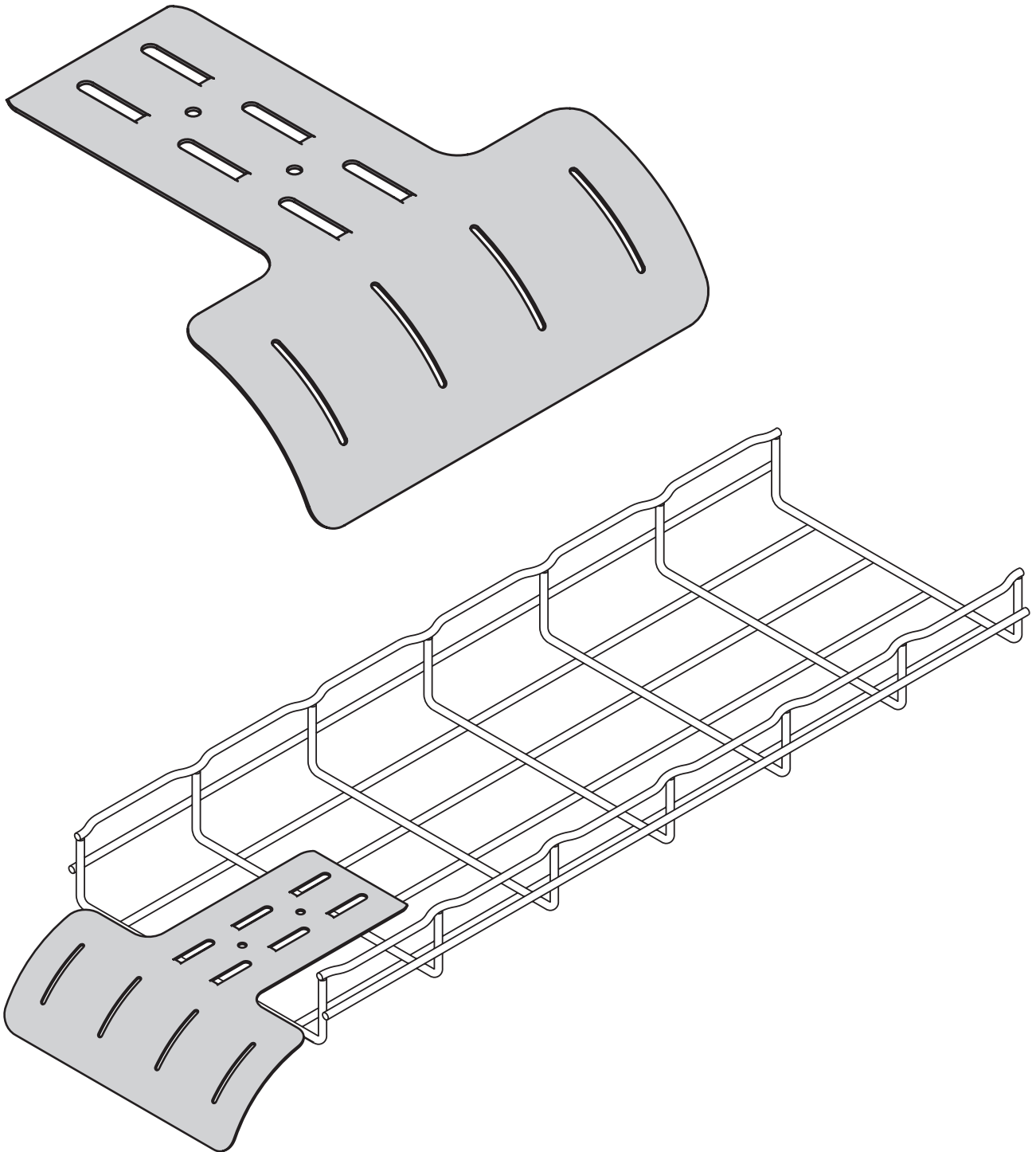


SYSTEM OVERVIEW

Clamps

DROP-OUT FITTING | M123



- Keeps cable radius secure at drop point
- For use with 4" (100 mm) to 24" (600 mm) wide trays
- Attaches to tray without hardware
- Drop - outs can be attached at bottom, side or ends of tray