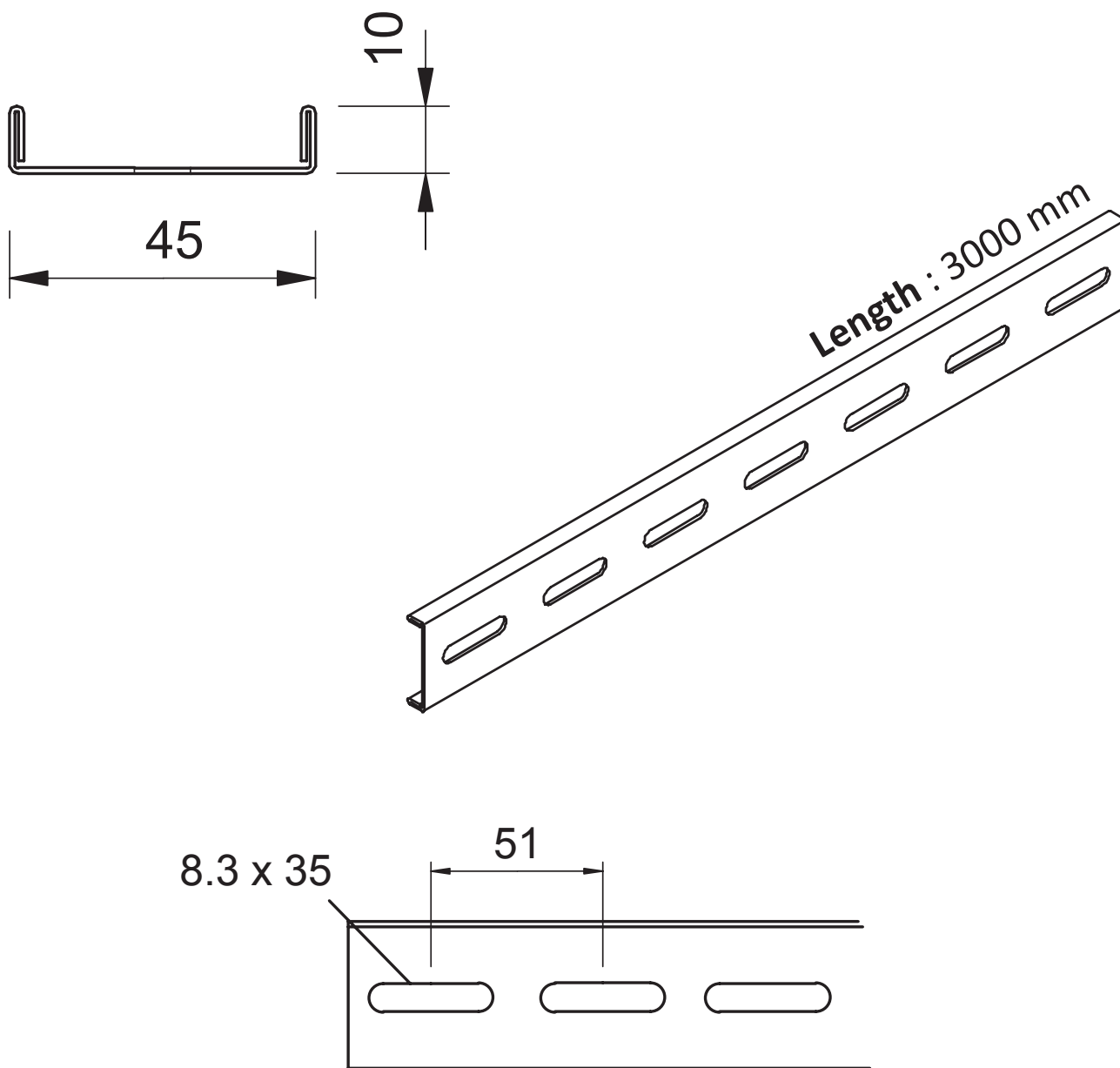


SYSTEM OVERVIEW

Mounting Bracket

Connectors, for production of bends and Basket Trays
Steel strip galvanized to DIN EN 10147

SUSPENSION PROFILE | M19



For connection between ceiling angle and base holder

Materials: Steel strip galvanized to DIN EN 10147