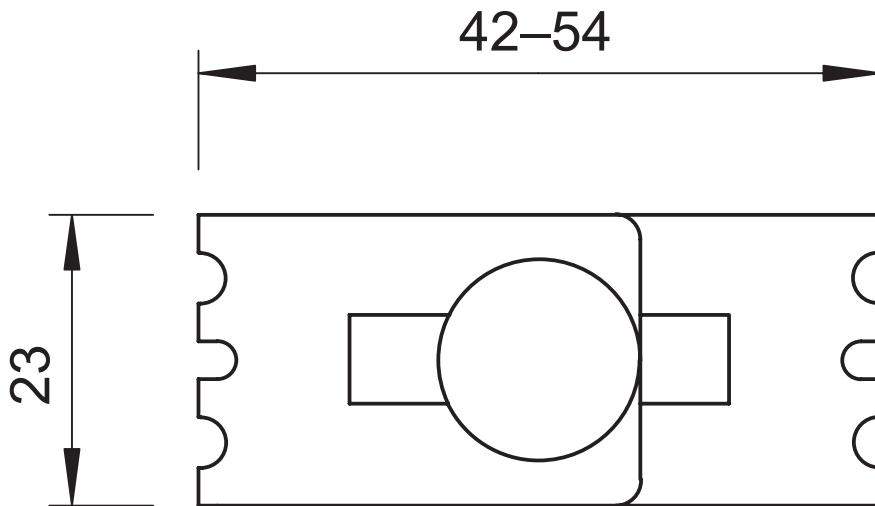


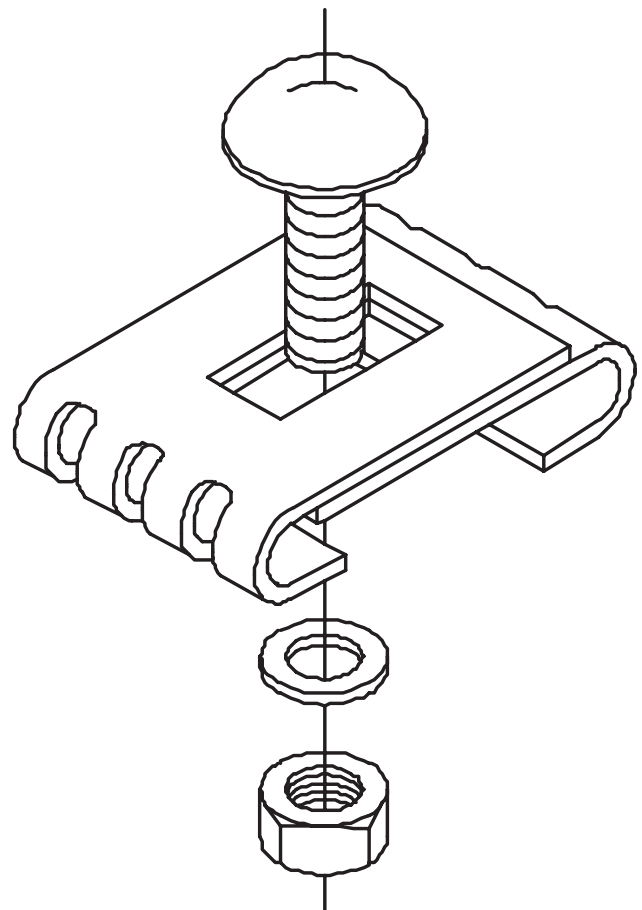
SYSTEM OVERVIEW

Connectors

CORNER CONNECTOR | CN102



Truss-Head Bolt



Materials: Hot-dip galvanized steel to DIN EN ISO 1461