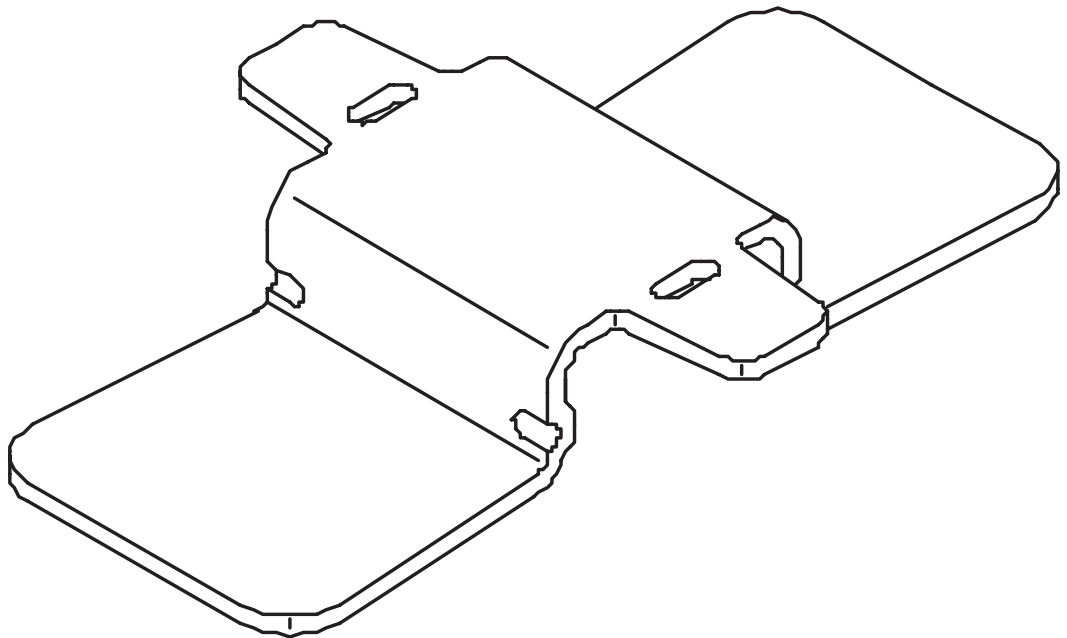
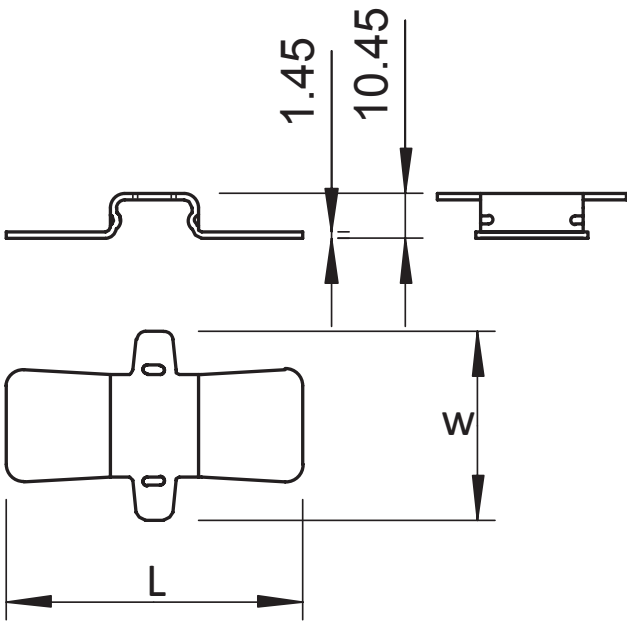


SYSTEM OVERVIEW

Connectors

QUICK CONNECTOR | CN101



Materials: Hot-dip galvanized steel to DIN EN ISO 1461